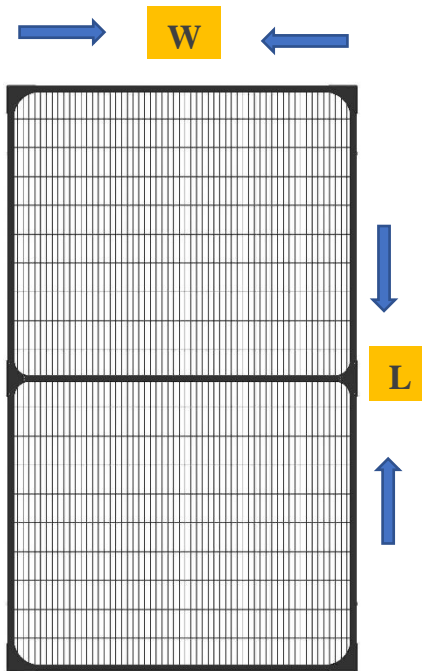


PANEL RESIZING

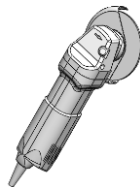
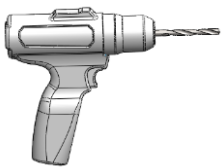


You can shorten the Roldory panel width or height practically without the need for any additional products by following the steps below:

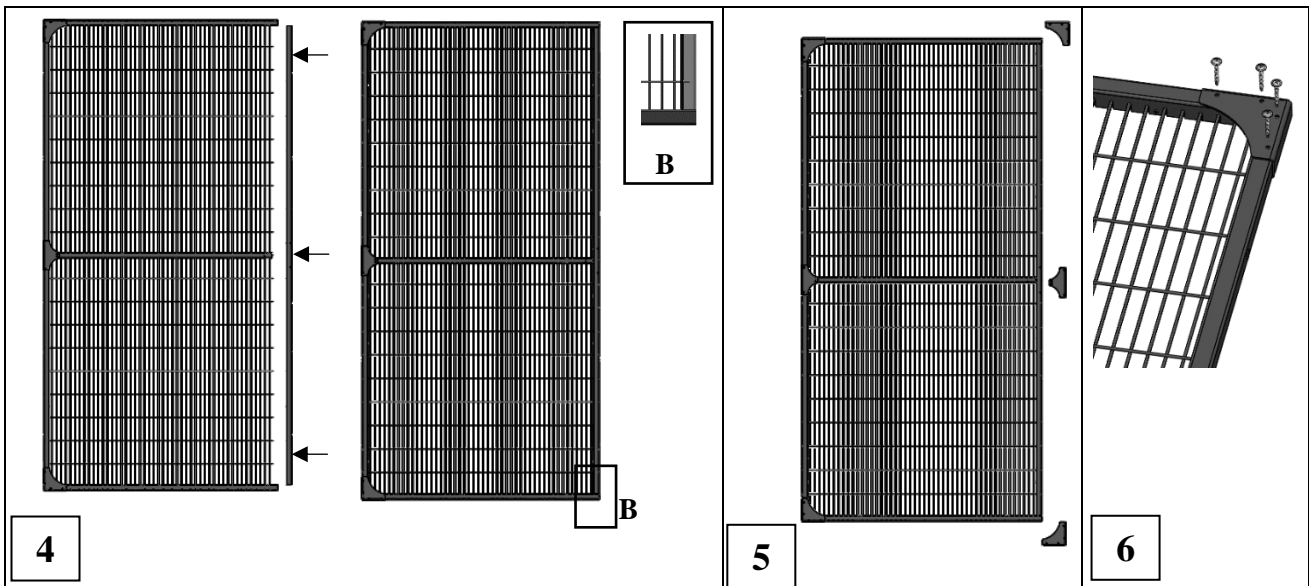
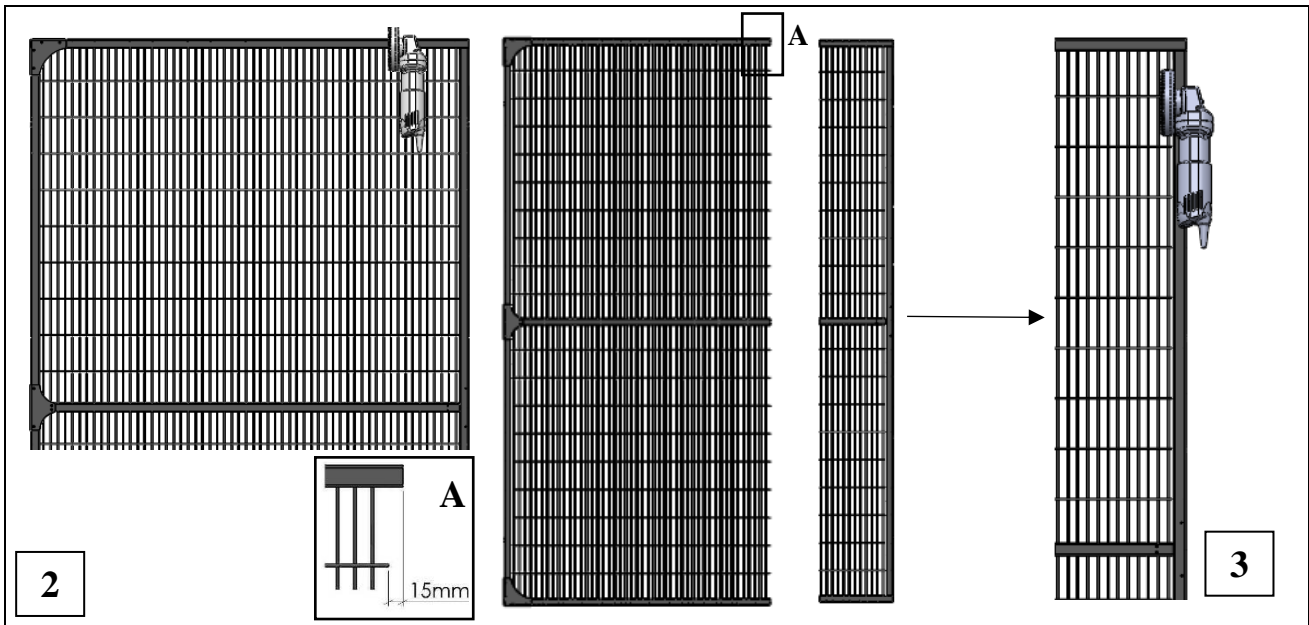
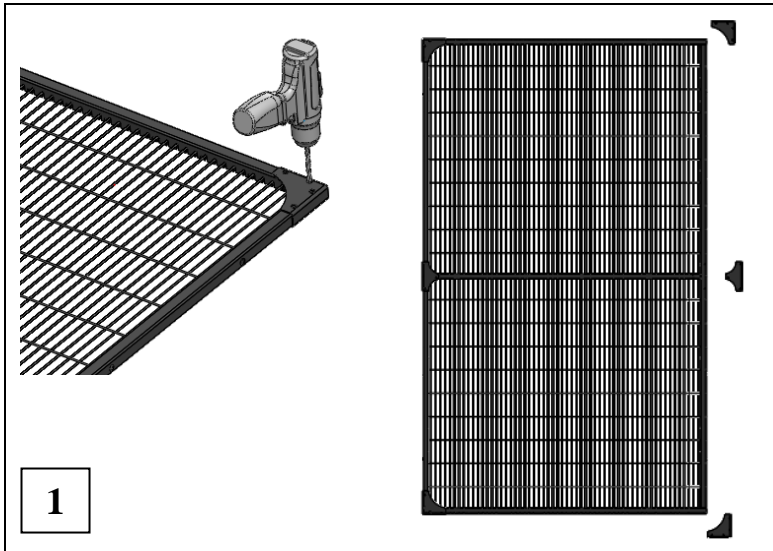
Use the necessary safety equipment



Required Equipment



RESIZE WIDTH



RESIZE HEIGHT

